



JCB Silver system

Advantages

Durability

High wear resistant material for the tip and different material for the adapter guarantee extended service life of the products.

Less frequent replacements

Improved design of the tip guarantees good penetration for the whole tip life, with less machine strain.

Easy and quick change-out

Basic and simple equipment is used to insert or remove the vertical pin.

Cost saving

After first assembly, you will have to change just the tip, up to 80% lighter than a traditional tooth, the maintenance costs decrease significantly cycle after cycle.

Features

Tip and adapter

- Interchangeable with all JCB type fork teeth.
- Quick replacement on field, due to easy identification.
- Reduced delivery time thanks to the large and always available stock.
- Different materials, optimized for tip and adapter.
- Self-sharpening during normal use.
- Excellent penetration thanks to the innovative shape.

Lock

- Made of high quality steel.
- Protected against wear and impact.
- Reusable several times.
- Easy to insert and remove with standard equipment.

Comparison with JCB tooth



Traditional system

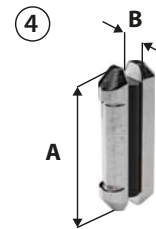
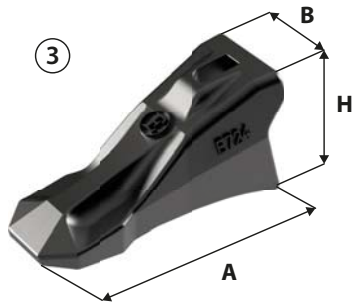
Fork tooth.







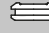

New Silver system

Adapter and tip.



Catalogue



										
TYPE	OUR REF.	PICTURE	A	B	C	H	KG	BOLT / NUT	LOCK	KG
Adapter	E 704	2	51	44,5	21	22	2,1	E 622 B / E 622 N	E 745	8000
Right adapter	E 704 R	1	51	44,5	21	22	4,4	E 622 B / E 622 N	E 745	8000
Left adapter	E 704 L	1	51	44,5	21	22	4,4	E 622 B / E 622 N	E 745	8000
Tip	E 724	3	127	56	-	61	1,1	-	E 745	8000
Lock	E 745	4	56	10	-	-	0,05	-	-	-

General information



Adapters

- Hardness:
- Chemical composition:

HB 390 - 440

C	Si	Mn	P	S	Cr	Mo
0,19	1,20	1,10	0	0	0,60	0,10
0,24	1,50	1,40	0,03	0,03	0,90	0,20

Tips

- Hardness:
- Chemical composition:

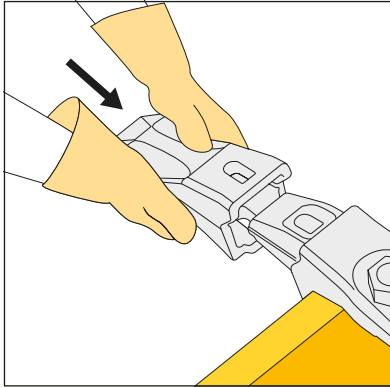
HB 470 - 510

C	Si	Mn	P	S	Cr	Mo
0,26	1,20	1,10	0	0	0,80	0,15
0,30	1,50	1,40	0,03	0,03	1,10	0,25

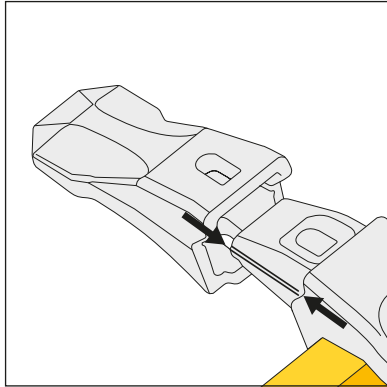
Locks

- Made of two metal inserts linked together through an internal rubber part.
- High elasticity.
- Reusable.
- They can be used with varying temperature from -40°C to $+125^{\circ}\text{C}$.

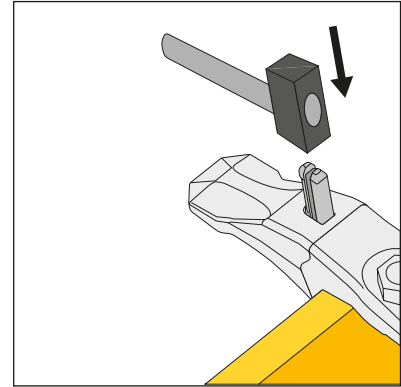
Assembly instructions



Assemble the tip on the adapter.



Detail of the side guides that make the assembling of the tip easier.



Insert the lock using standard equipment.

ESTI s.r.l.
Via dei Baicc, 5
25074 Idro (Brescia)
Italy

Tel. +39 0365 82 33 27
Fax +39 0365 82 32 54
Email info@esti.it
esti.it